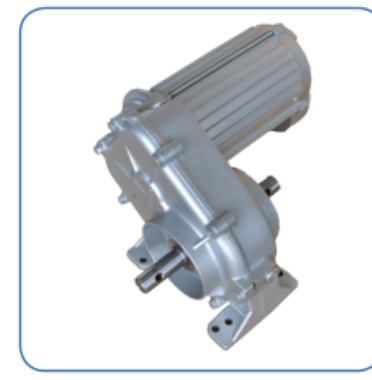
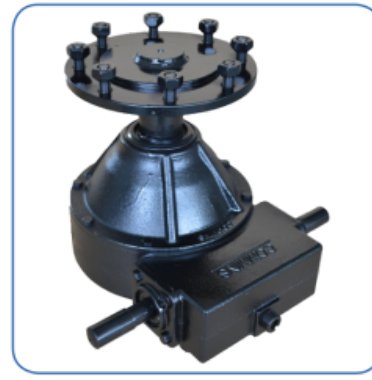
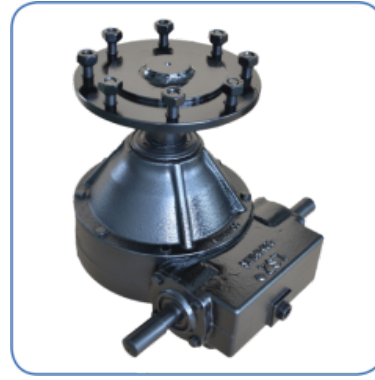


COMMINS (LSZ) PRODUCTS

'We work with long-lasting brands for our customers'

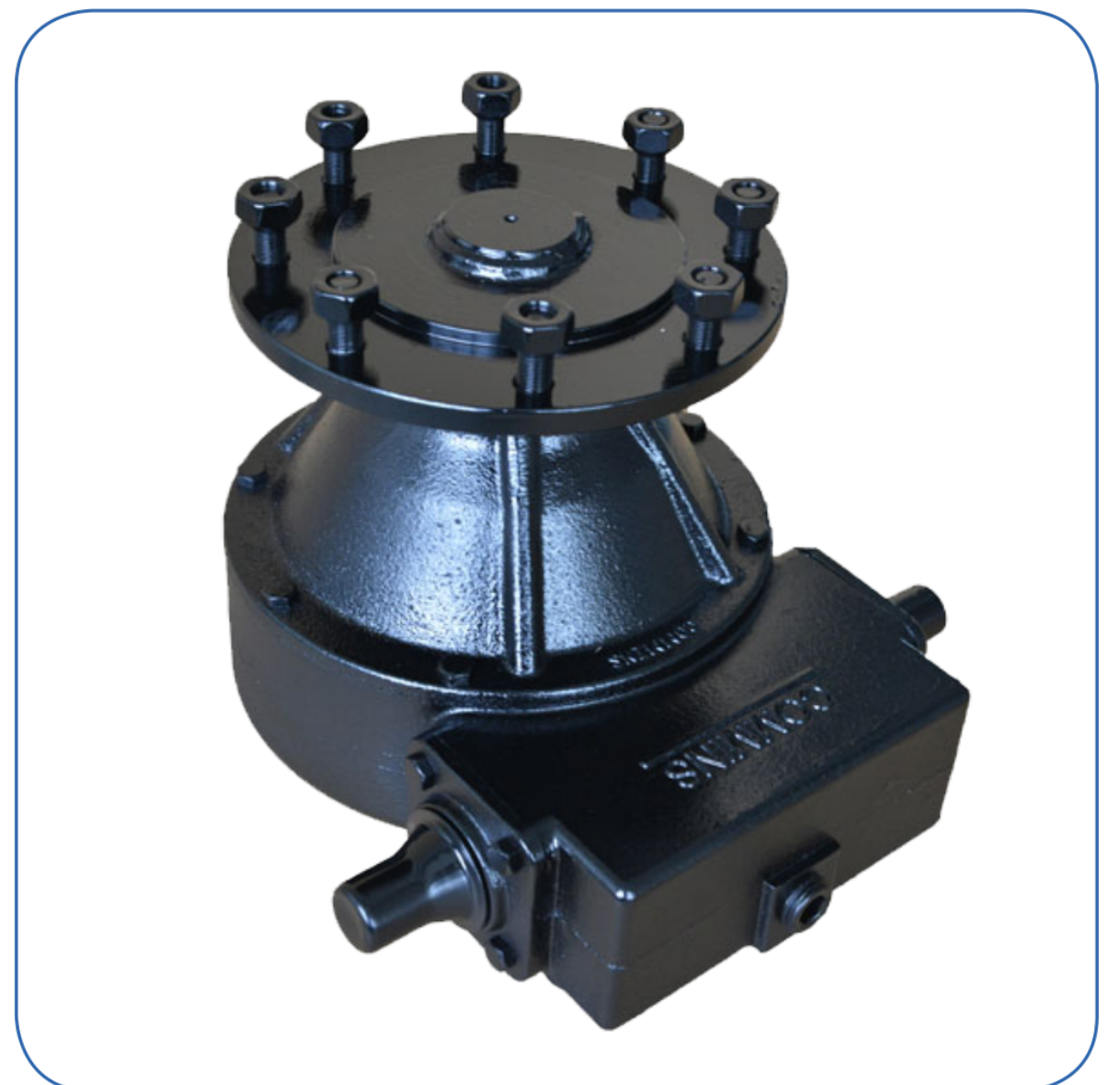


LSNG SERIES WHEEL GEARBOX REDUCER

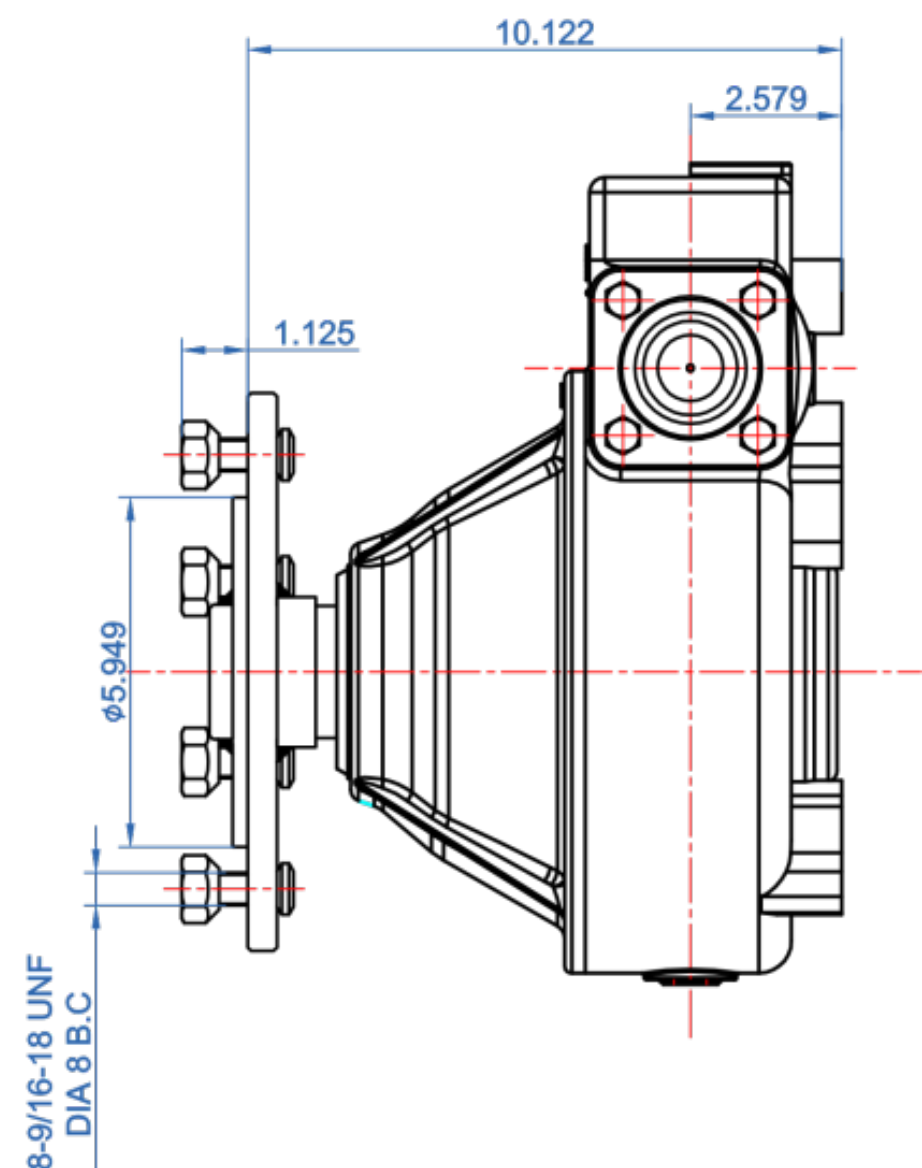
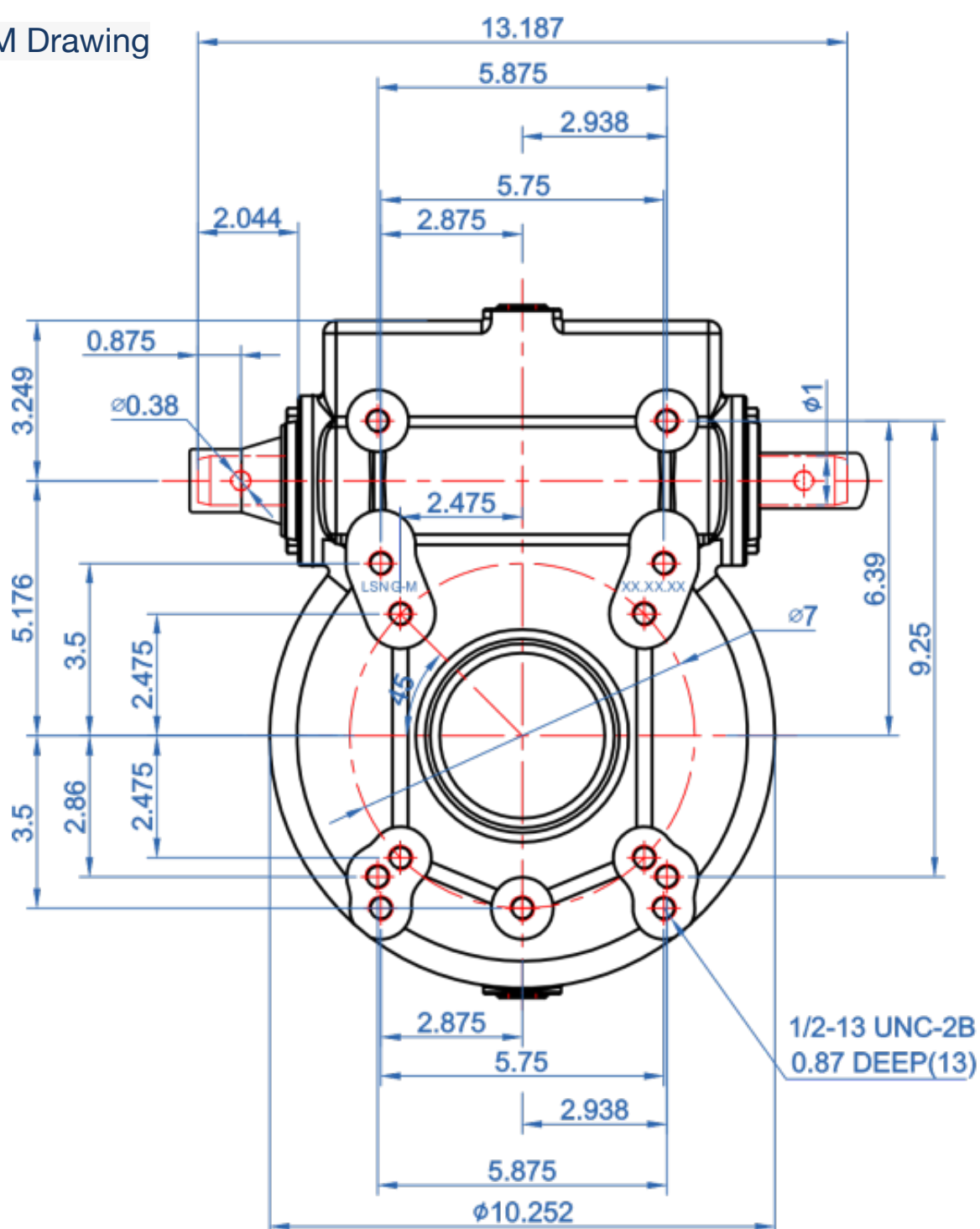
LSNG-M WHEEL DRIVE GEARBOX

Product overview:

- Universal install size.
- Tapered roller bearings ensure transmission accuracy and long life.
- High strength worm and gear with long life.
- Output shaft ,high strength alloy steel and longer life.



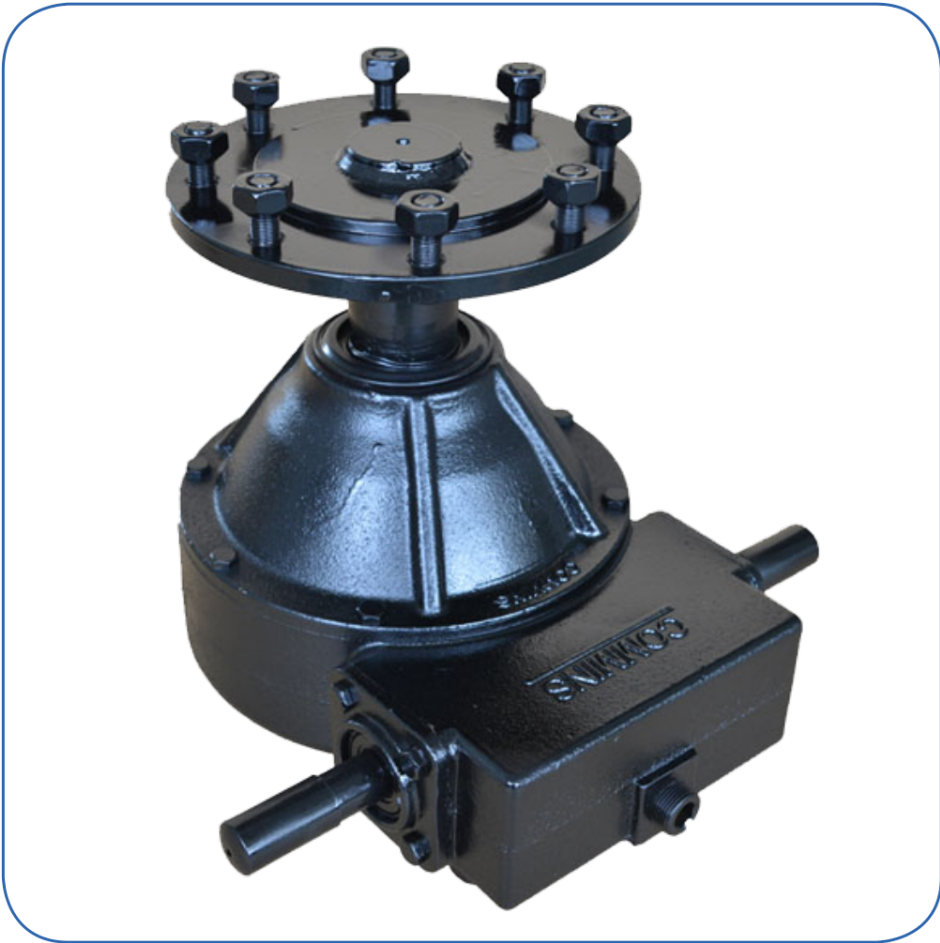
LSNG-M Drawing



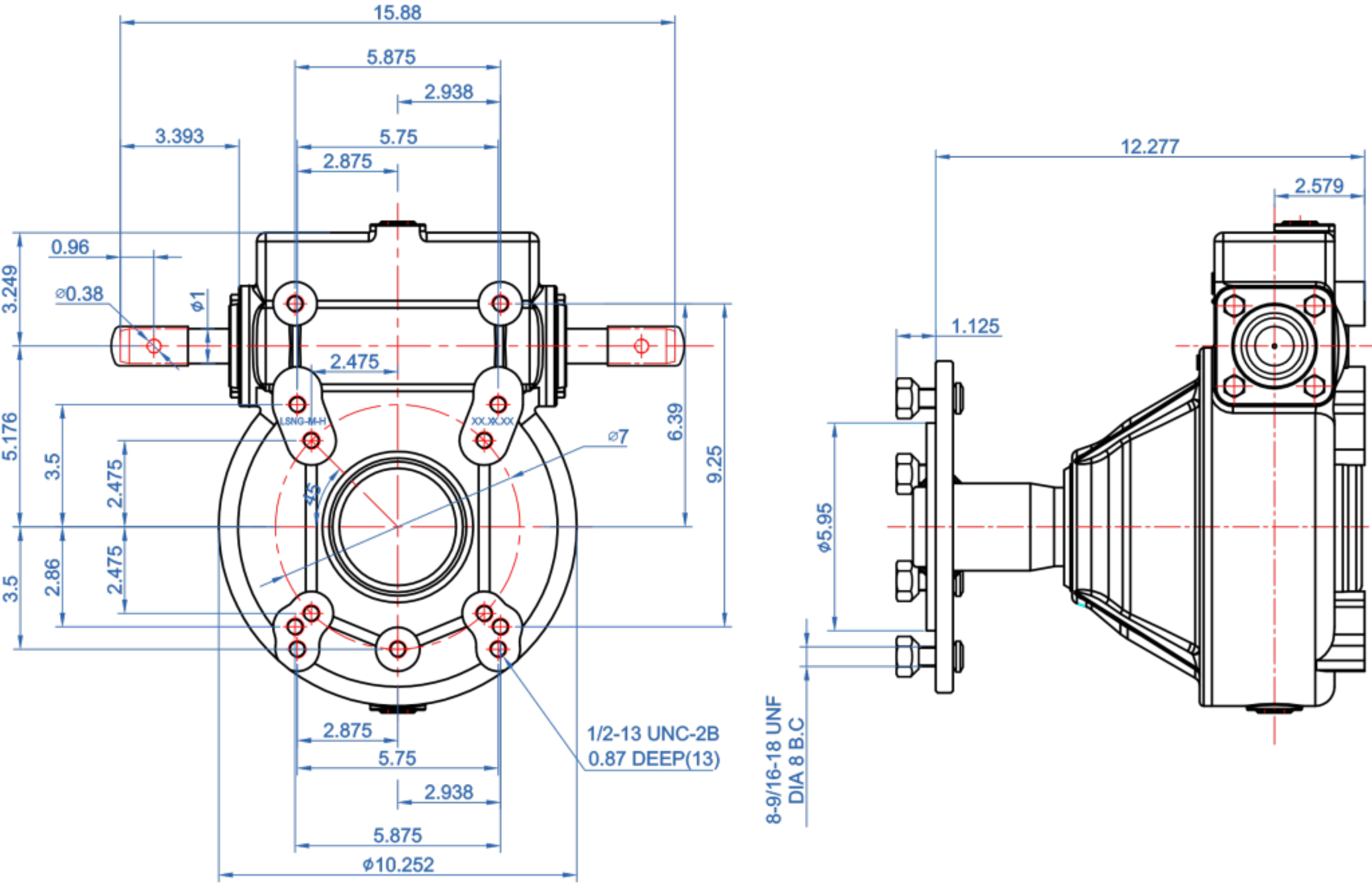
LSNG-MH WHEEL DRIVE GEARBOX

Product overview:

- Universal install size.
- Tapered roller bearings ensure transmission accuracy and long life.
- High strength worm and gear with long life.
- Output shaft ,high strength alloy steel and longer life.



LSNG-MH Drawing



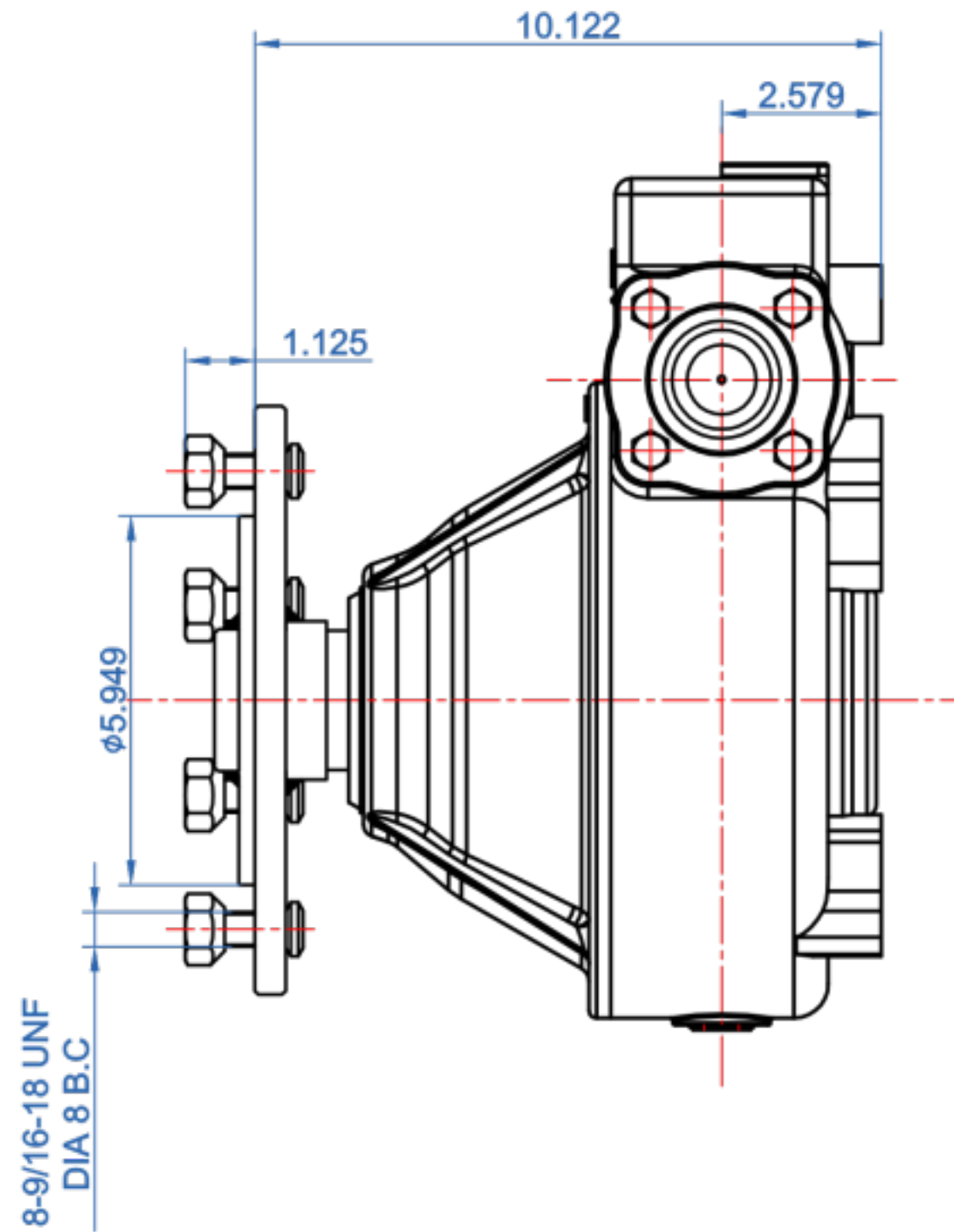
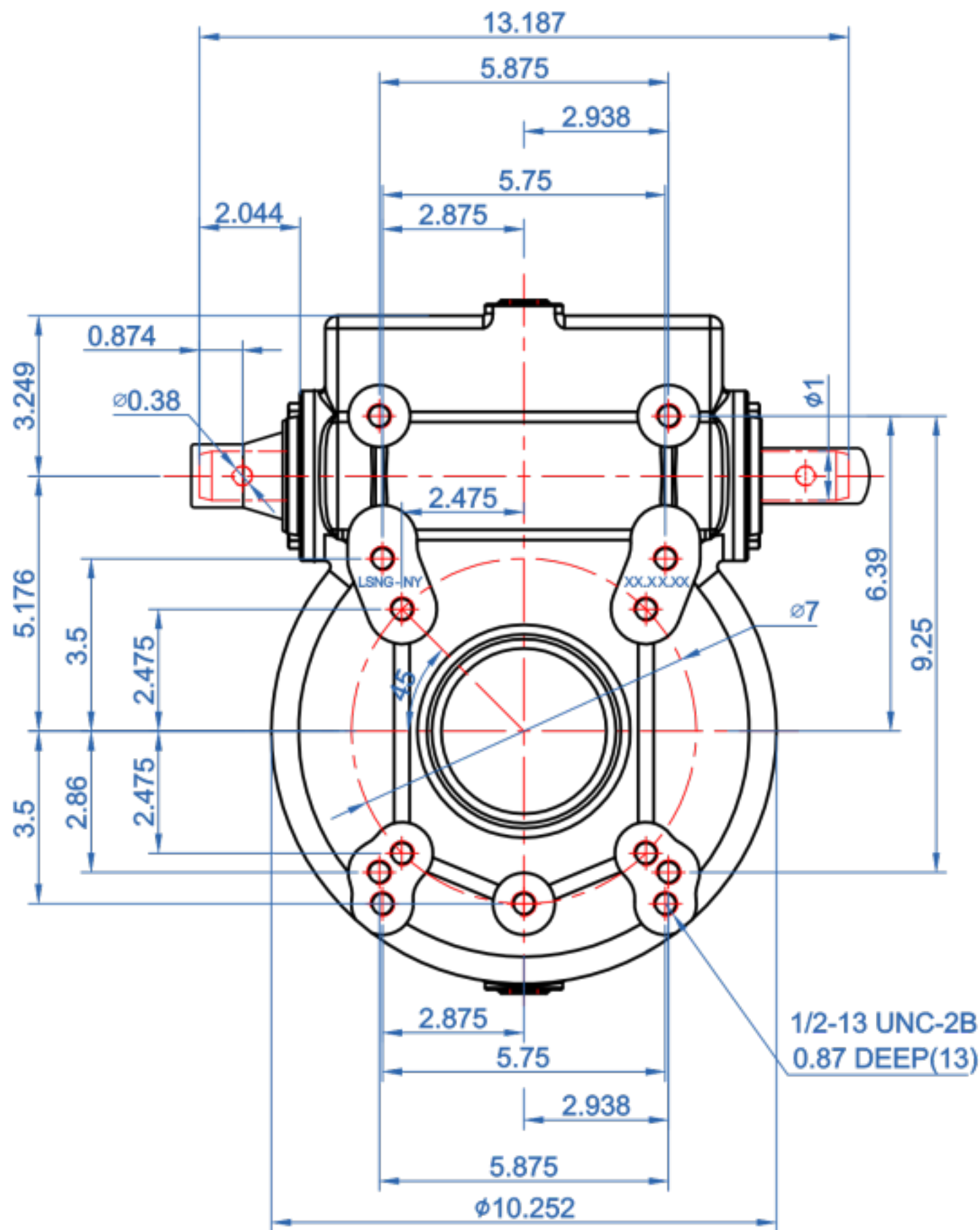
LSNG-NY WHEEL DRIVE GEARBOX

Product overview:

- Universal install size.
- Tapered roller bearings ensure transmission accuracy and long life.
- Worm with ZC1 profile make longer life and stability.
- Output shaft ,high strength alloy steel and longer life.



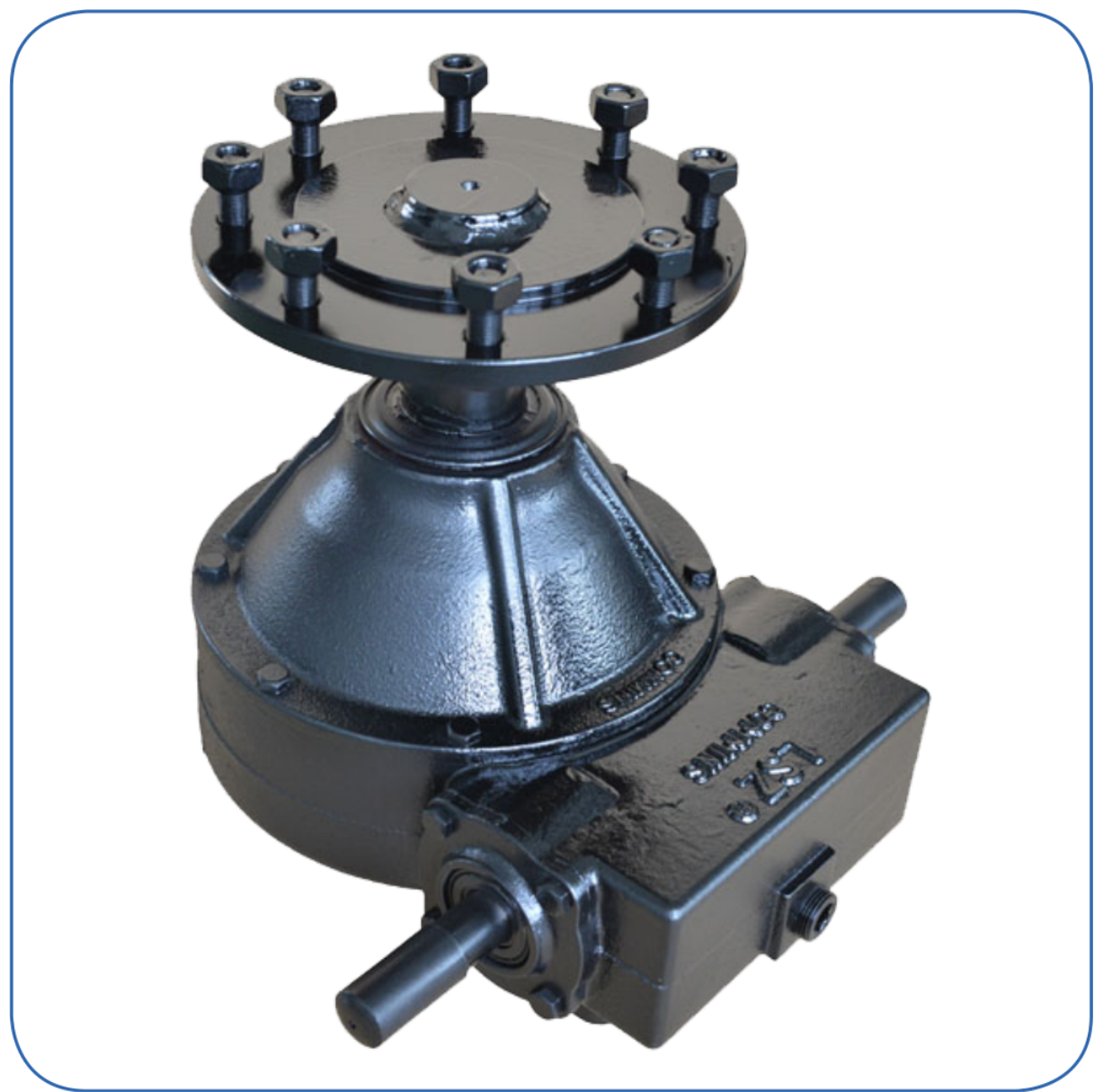
LSNG-NY Drawing



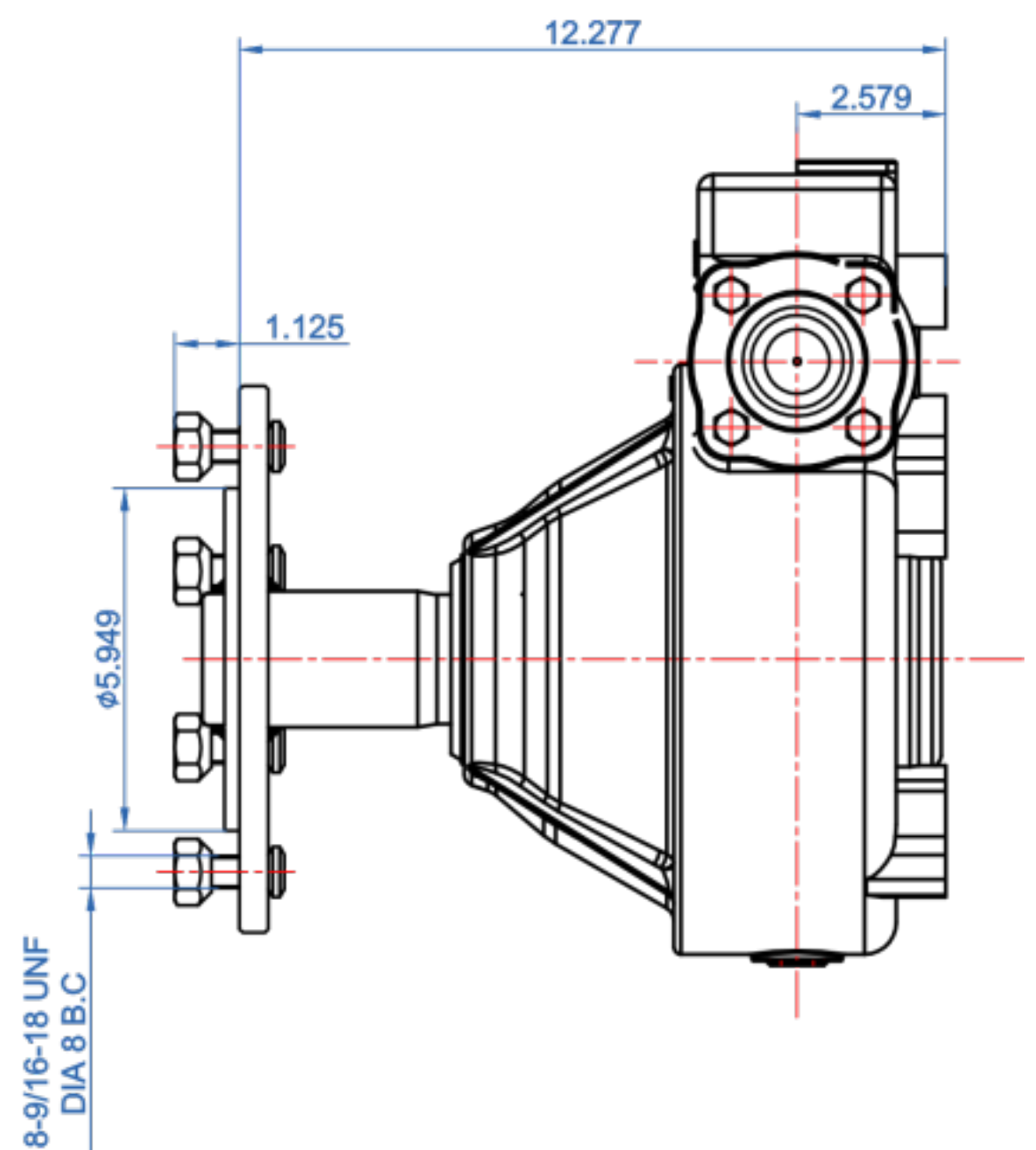
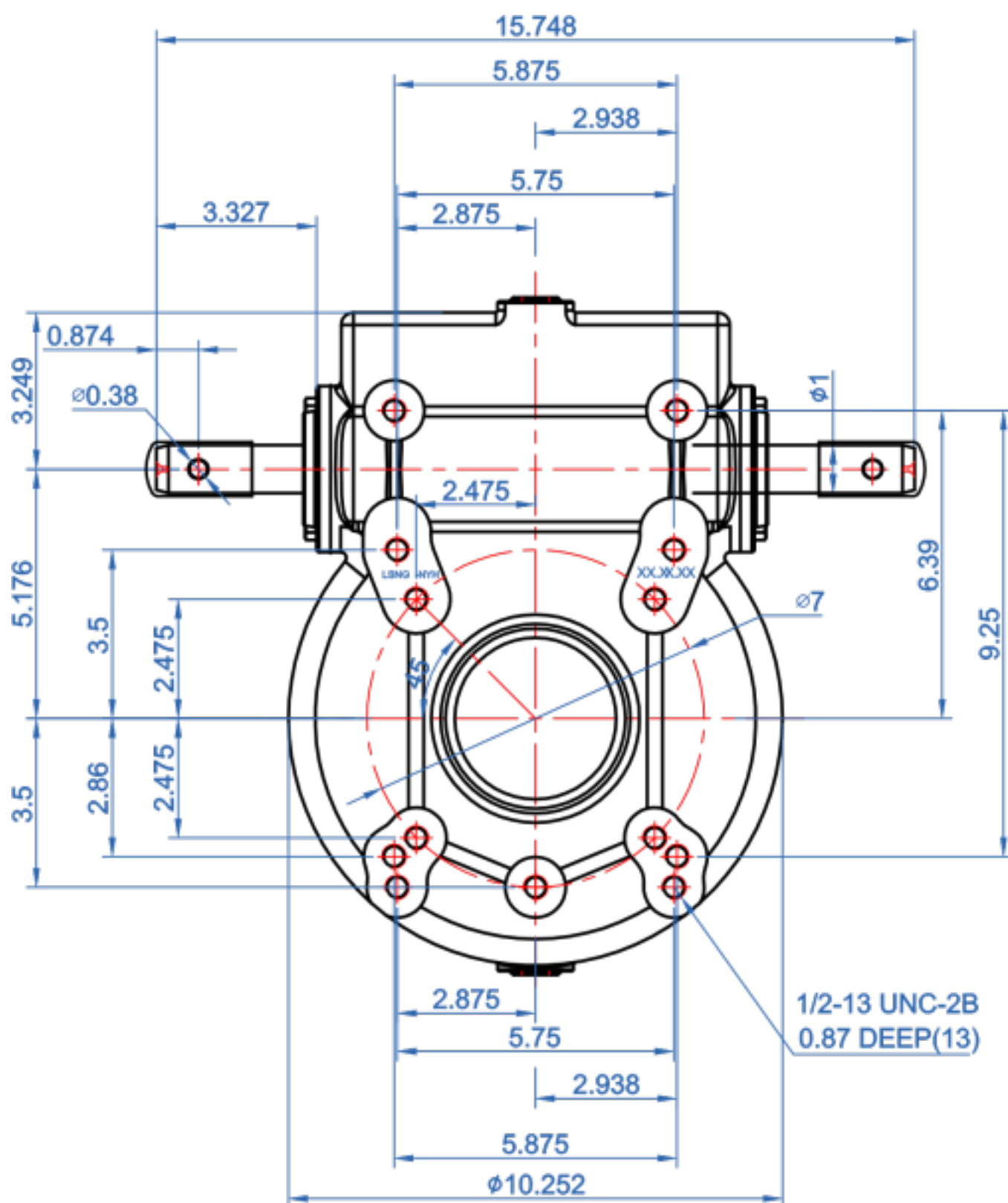
LSNG-NYH WHEEL DRIVE GEARBOX

Product overview:

- Universal install size.
- Tapered roller bearings ensure transmission accuracy and long life.
- Worm with ZC1 profile make longer life and stability.
- Output shaft ,high strength alloy steel and longer life.



LSNG-NYH Drawing



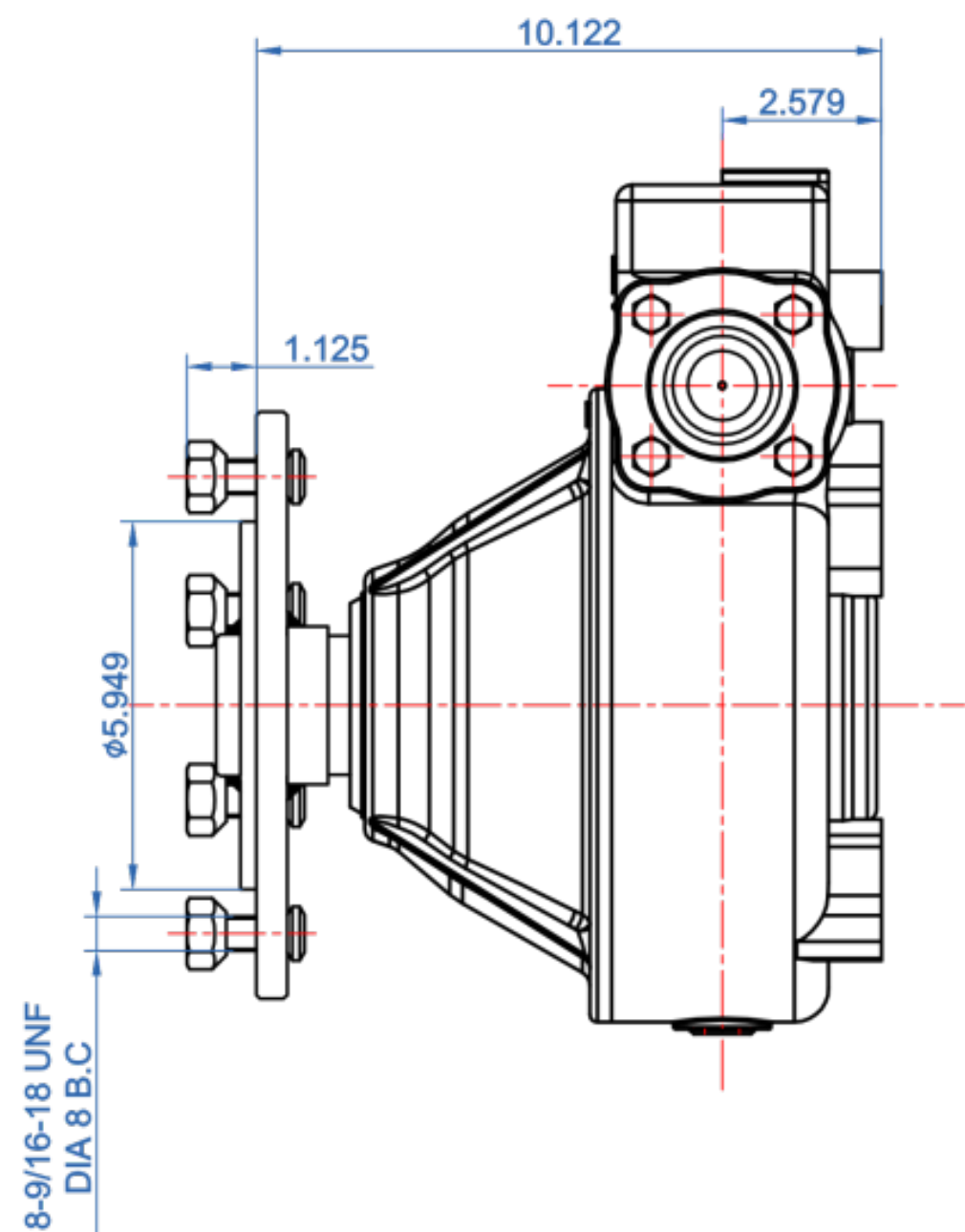
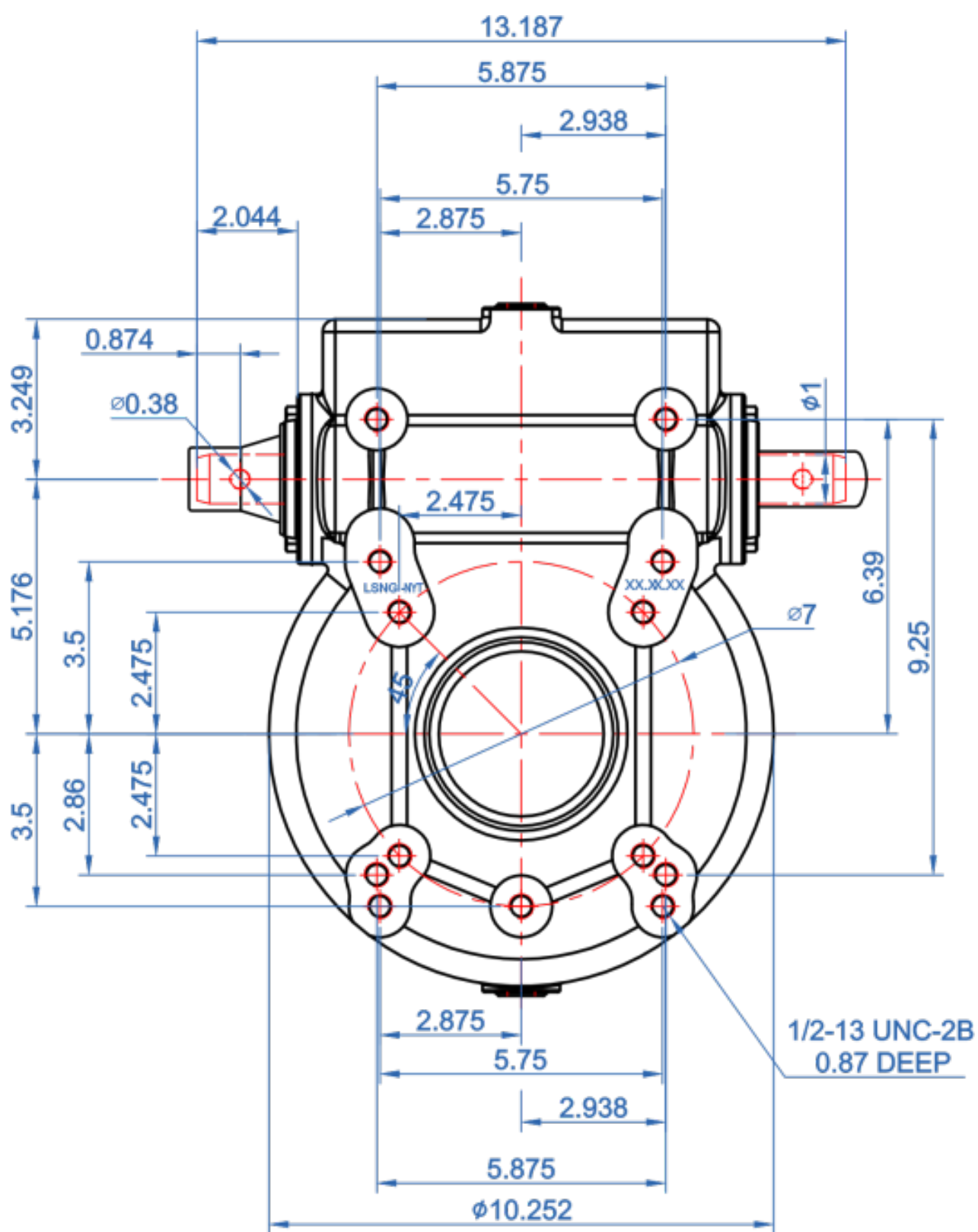
LSNG-NYT WHEEL DRIVE GEARBOX

Product overview:

- Universal install size.
- Tapered roller bearings ensure transmission accuracy and long life.
- Worm with ZC1 profile and carburizing. Gear with high strength bronze alloy, make longer life and stability.
- Output shaft ,high strength alloy steel and longer life.



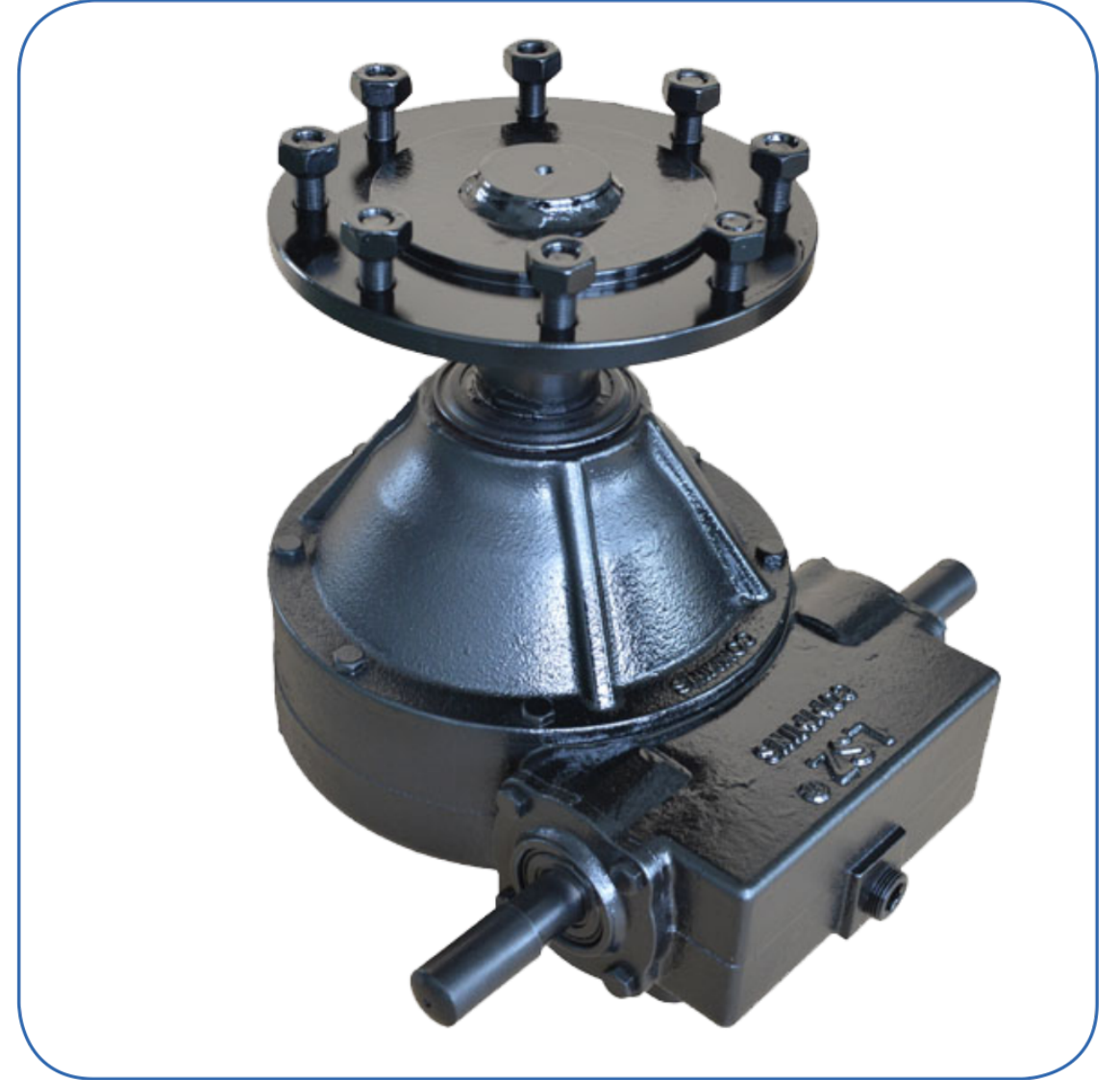
LSNG-NYT Drawing



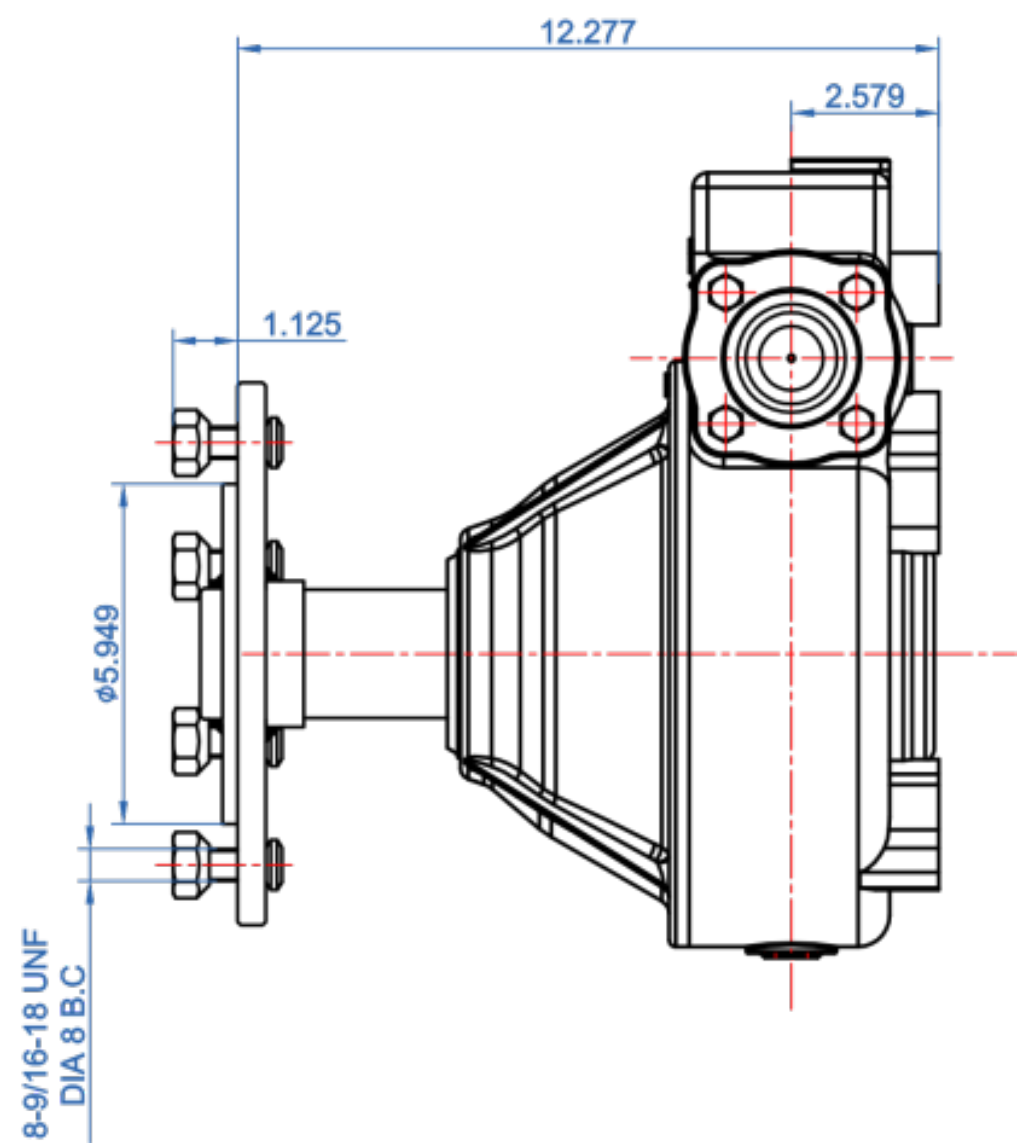
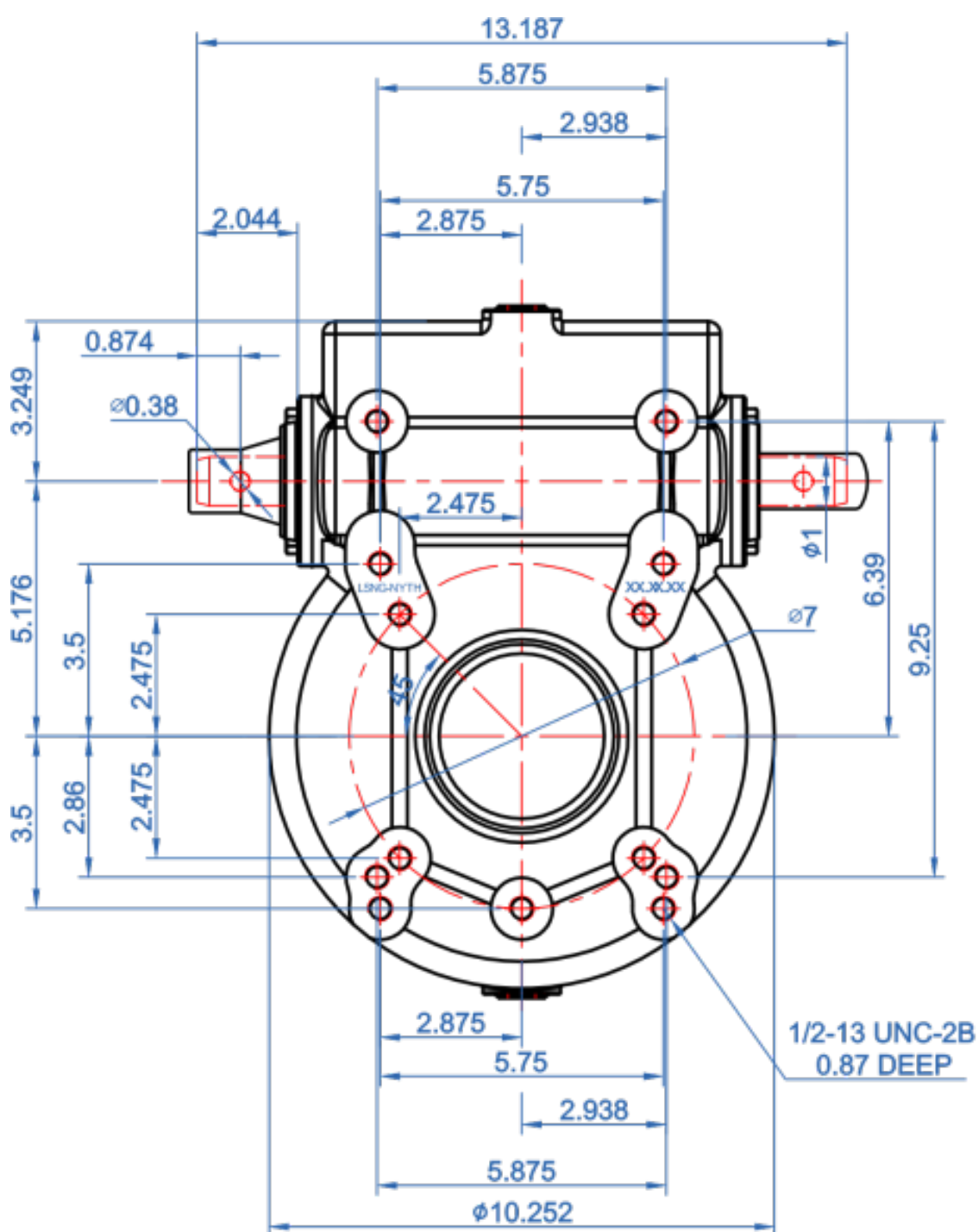
LSNG-NYTH WHEEL DRIVE GEARBOX

Product overview:

- Universal install size.
- Tapered roller bearings ensure transmission accuracy and long life.
- Worm with ZC1 profile make longer life and stability.
- Output shaft ,high strength alloy steel and longer life.



LSNG-NYTH Drawing



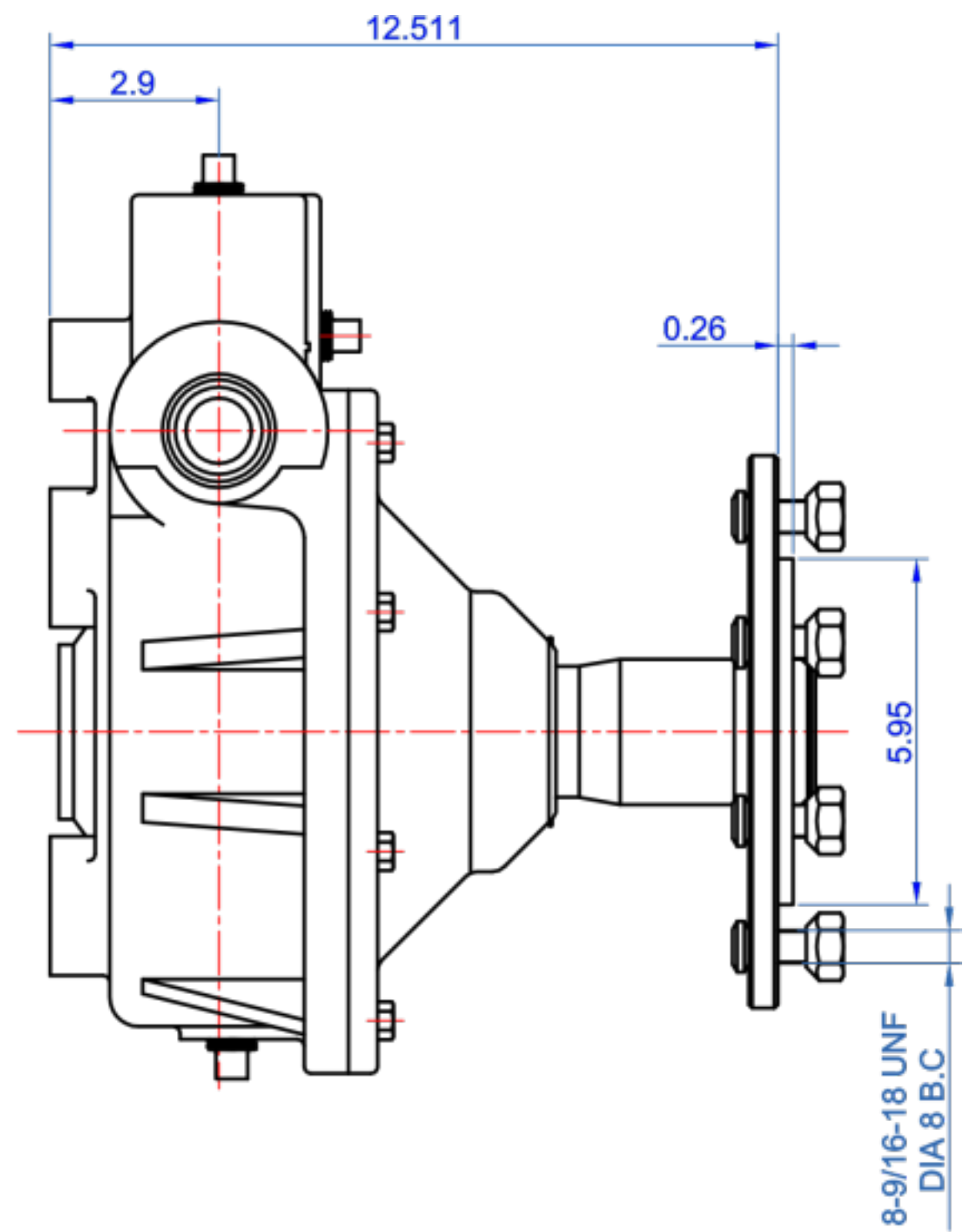
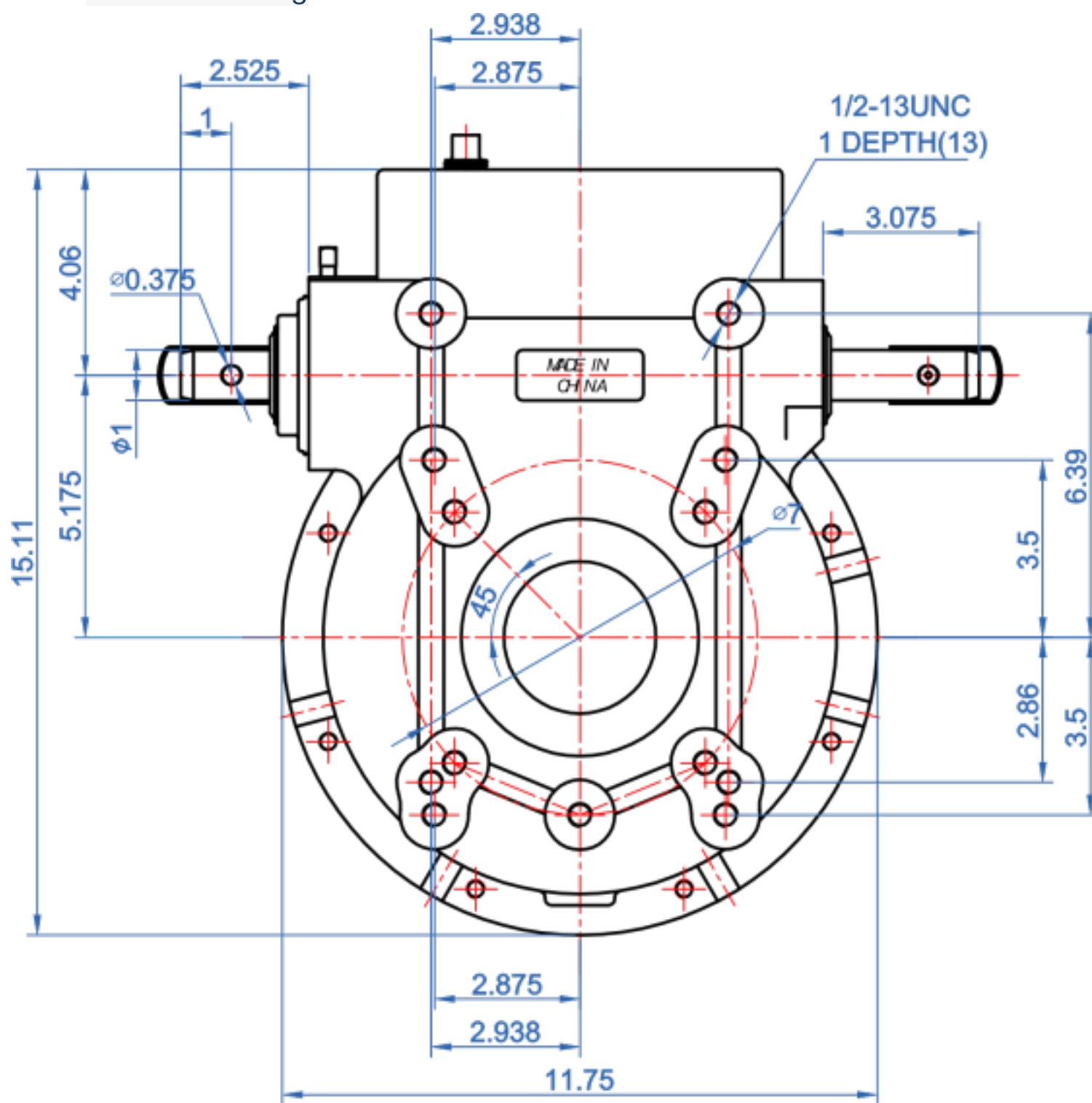
LSNG-V WHEEL DRIVE GEARBOX

Product overview:

- Universal install size.
- Tapered roller bearings ensure transmission accuracy and long life.
- High strength worm and gear with long life.
- Output shaft ,high strength alloy steel and longer life.



LSNG-V Drawing

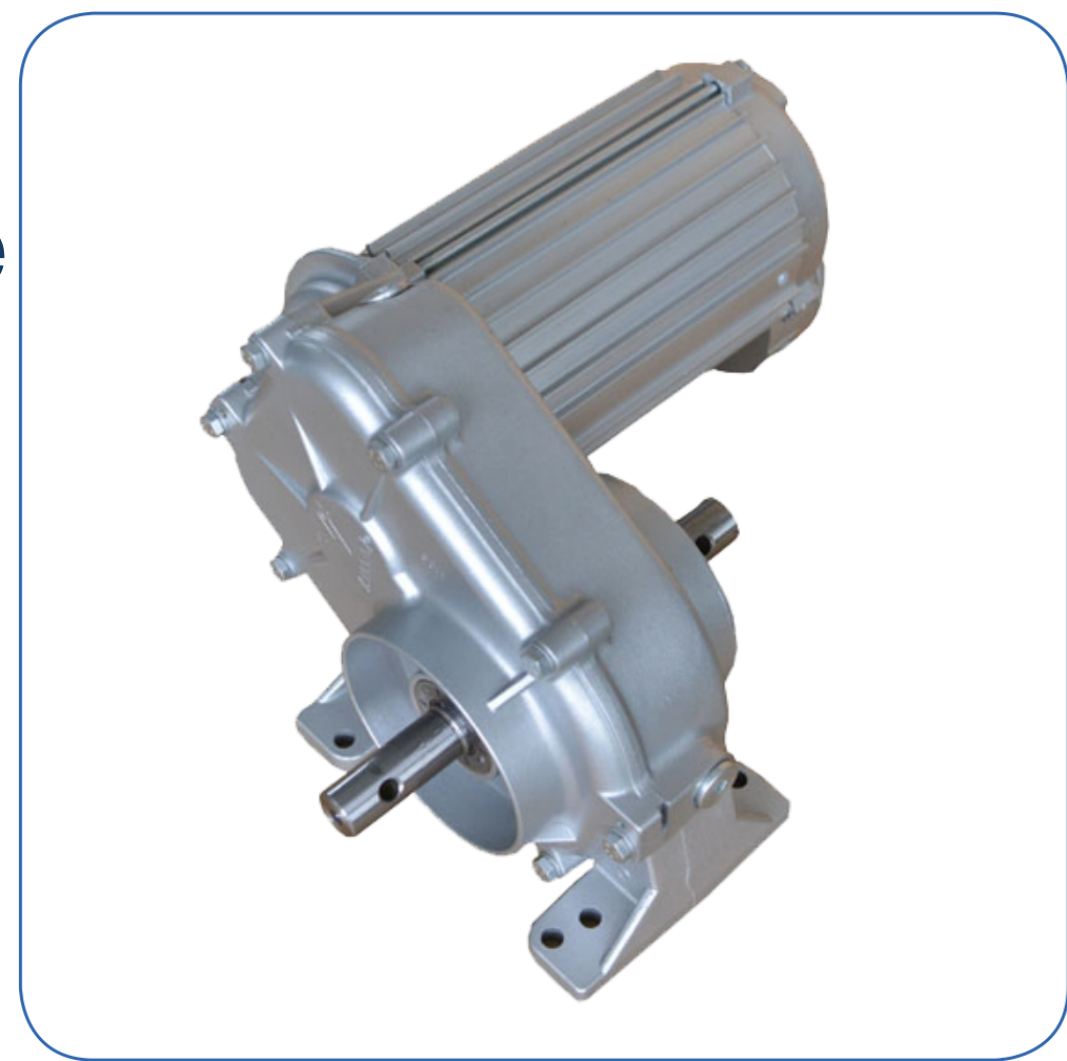


LFNG SERIES CENTER DRIVE MOTOR REDUCER

LFNG10 CENTER DRIVE MOTOR

Product overview :

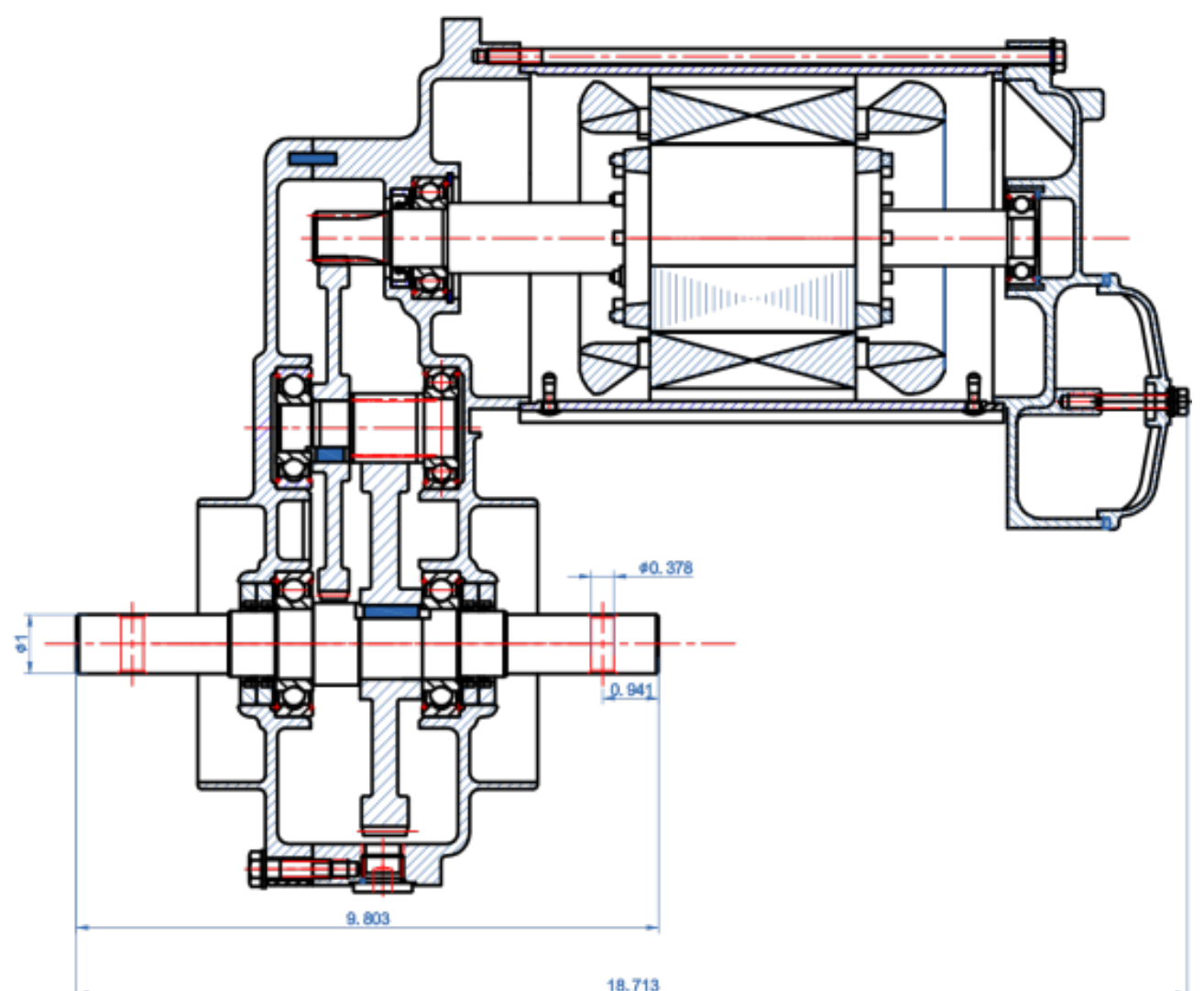
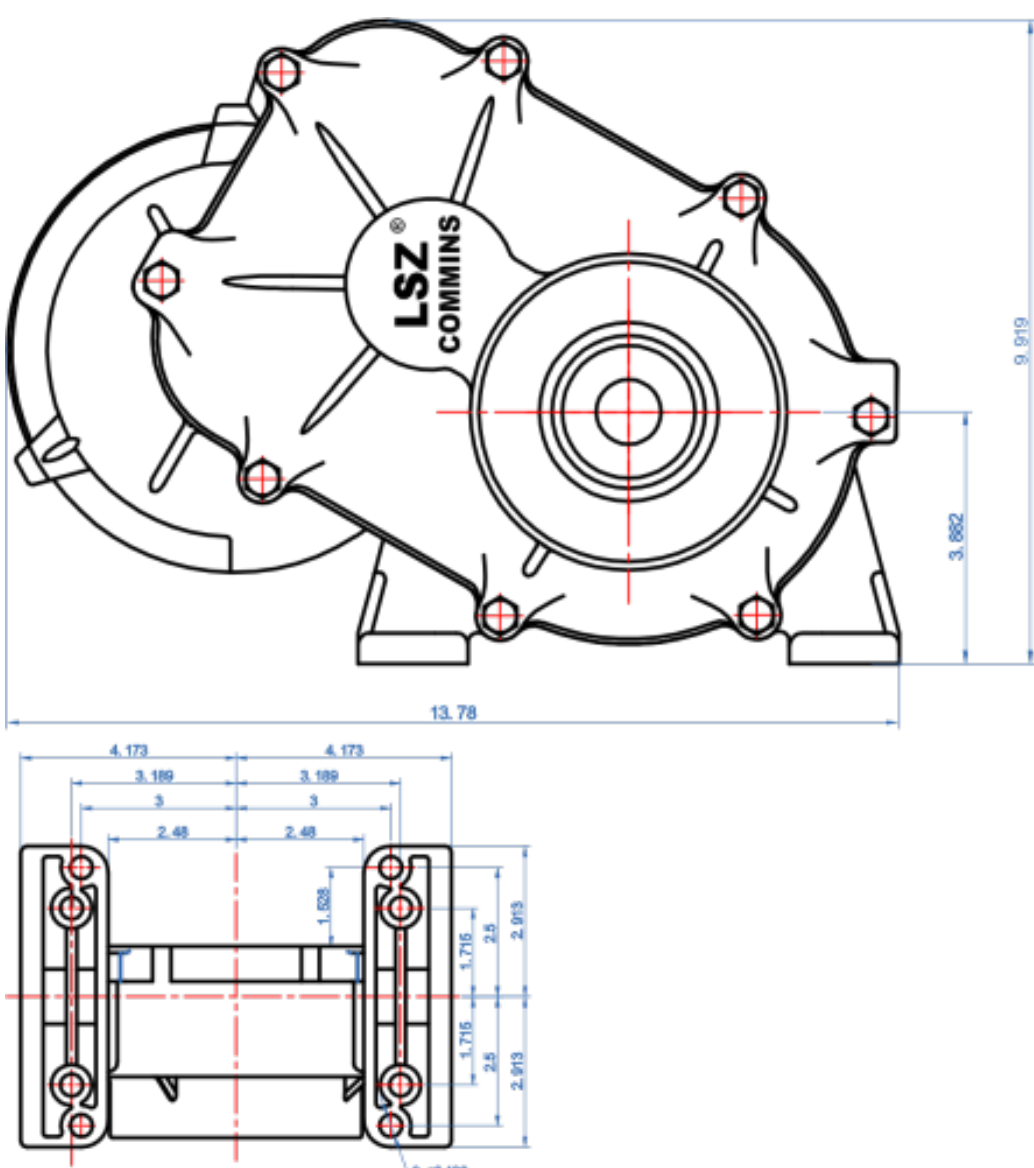
- High strength aluminum housing for cooler running, longer life and better corrosion resistance.
- Thermal protector motor, suitable for voltage 460V 60HZ, 380V 50HZ.
- Hardened gear has a strong load carrying capacity and high transmission efficiency.
- Output shaft ,high strength alloy steel and longer life.



Technical parameter

LFNG10 Drawing

MODEL	HORSEPOWER (HP)	FREQUENCY (HZ)		MOTOR SPEED (rpm)		RATIO (i)	GEARBOX OUTPUT SPEED (rpm)		GEARBOX OUTPUT TORQUE (N.m)	WEIGHT (kg/lbs)
		460V	380V	460V	380V		460V	380V		
LFNG10-43	1	60	50	1720	1420	40	43	35	158	25.0/55
LFNG10-34				50	34		28	200		



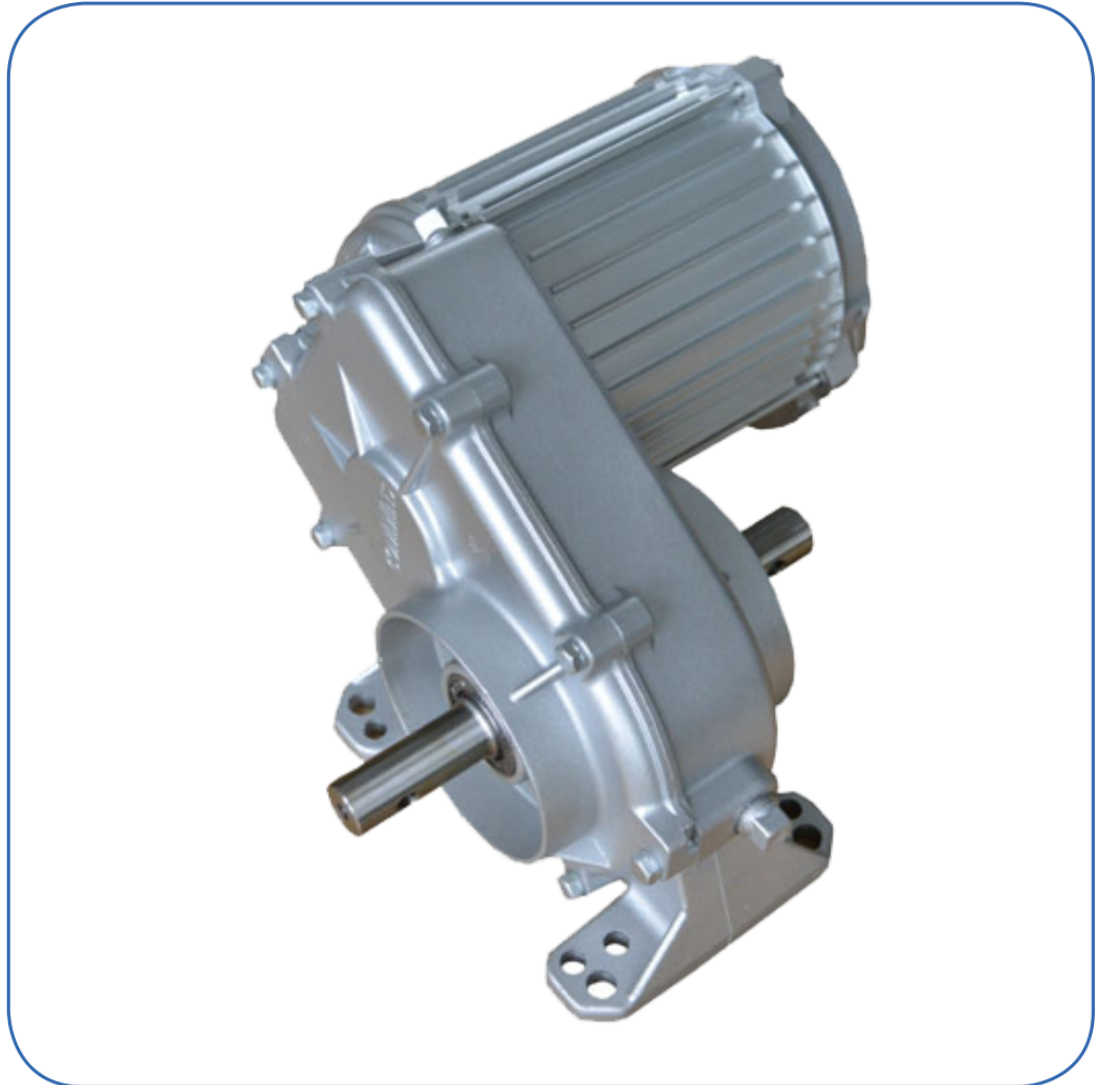
ATLANTIS
CENTER PIVOT & LINEAR IRRIGATION SYSTEMS

COUNT ON IT

LFNG75/15 CENTER DRIVE MOTOR

Product overview:

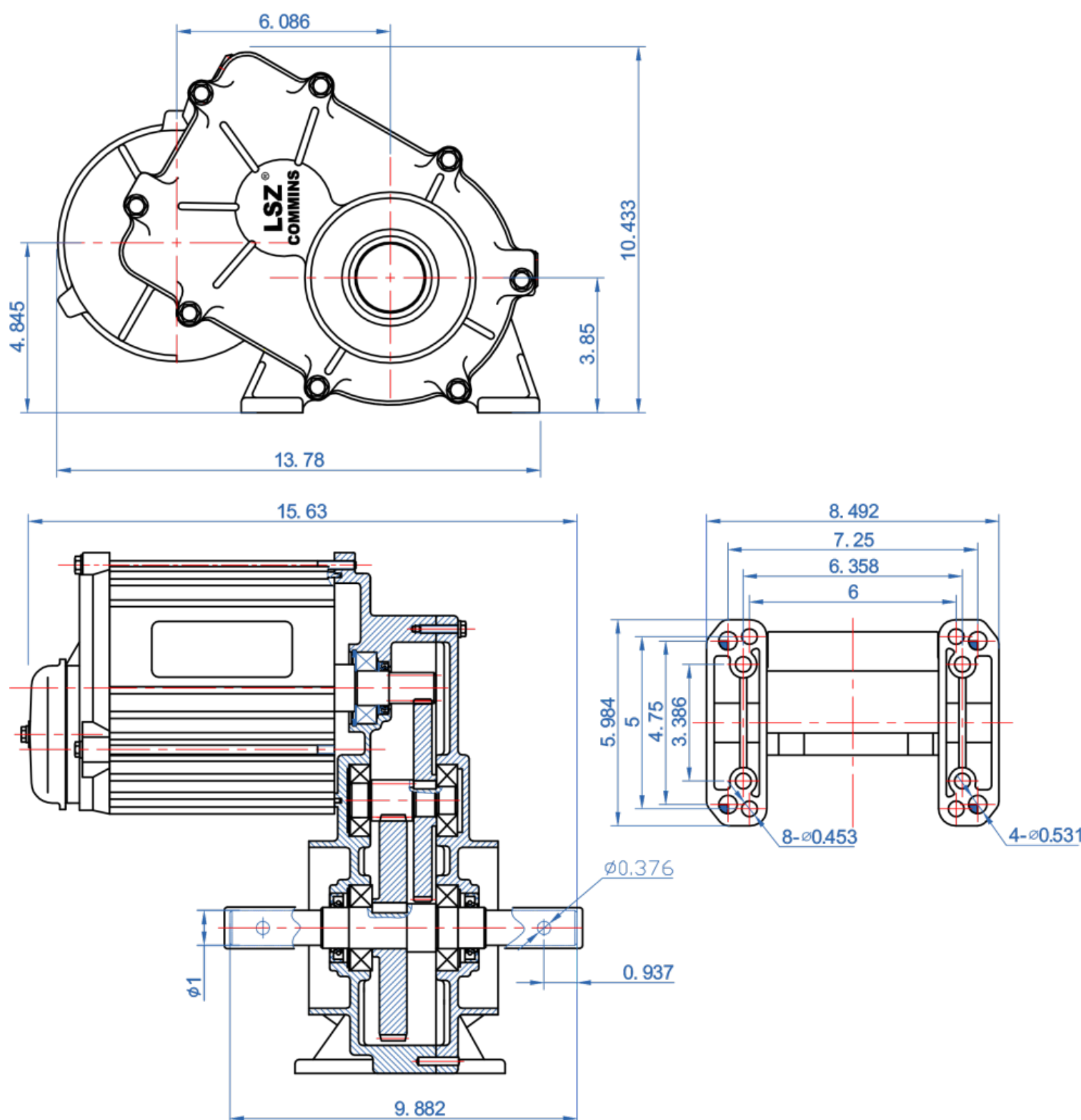
- High strength aluminum housing for cooler running, longer life and better corrosion resistance.
- Thermal protector motor, suitable for voltage 460V 60HZ, 380V 50HZ.
- Hardened gear has a strong load carrying capacity and high transmission efficiency.
- Output shaft ,high strength alloy steel and longer life.



Technical parameter

MODEL	HORSEPOWER (HP)	FREQUENCY (HZ)		MOTOR SPEED (rpm)		RATIO (i)	GEARBOX OUTPUT SPEED (rpm)		GEARBOX OUTPUT TORQUE (N.m)	WEIGHT (kg/lbs)
		460V	380V	460V	380V		460V	380V		
LFNG75-43	0.75	60	50	1720	1420	40	43	35	119	25.0/55
LFNG75-34						50	34	28	150	
LFNG15-57	30					57	47	179		
LFNG15-43	40					43	35	237		
LFNG15-34	50			34	28	300				
LFNG15-86	40			86	70	119				
LFNG15-68	50			68	56	150				

LFNG10 Drawing



ATLANTIS
CENTER PIVOT & LINEAR IRRIGATION SYSTEMS

COUNT ON IT

LZQ SERIES COUPLING

LZQ COUPLING

Product overview:

- High strength urethane insert with high load carrying abilities and good resistance to UV rays and chemicals.
- Aluminum pieces have high load carrying abilities and good resistance of rust.
- Anti-rotation bolts, with zinc plated.
- Aluminum pieces can be set multiple with different sizes, meet different demands.



LZQ COUPLING Drawing

